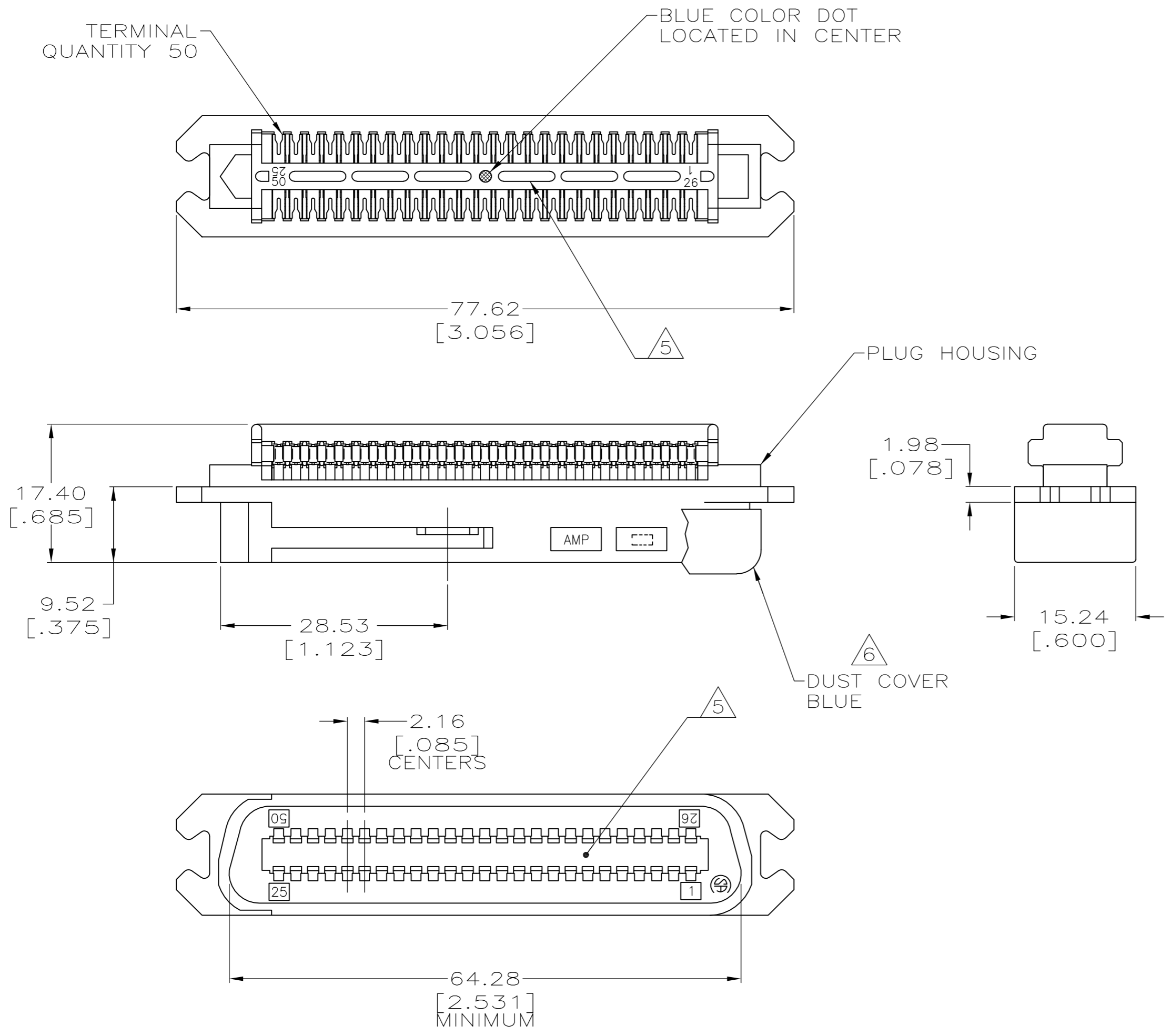


THIS DRAWING IS UNPUBLISHED. RELEASED FOR PUBLICATION  
 © COPYRIGHT - By - ALL RIGHTS RESERVED.

LOC		DIST		REVISIONS			
P	LTR	DESCRIPTION		DATE	DWN	APVD	
	S1	REVISED PER ECO-11-005140		28MAR11	RK	HMR	

1. THE CONTACT SURFACES OF THE TERMINALS ARE COATED WITH LUBRICANT.
2. MATERIAL: HOUSING - POLYPHEYLENE OXIDE, BLACK. TERMINAL - HIGH STRENGTH COPPER ALLOY PLATED WITH 0.76µm [.000030] MIN GOLD OR GOLD FLASH OVER PALLADIUM NICKEL PLATE, 0.76µm [.000030] MIN TOTAL ON MATING SURFACE. 1.27µm [.000050] MIN NICKEL UNDERPLATE OVER ENTIRE TERMINAL.
3. ALL DIMENSIONS SHOWN ARE FOR REFERENCE ONLY UNLESS OTHERWISE SPECIFIED.
4. WIRE SIZE: 24 & 26 AWG SOLID OR 24 AWG 7 STRANDS OF COPPER CONDUCTORS. MAX INSULATION DIAMETER OF 1.14[.045] IS ACCEPTABLE FOR MOST APPLICATIONS.
5. CORING MAY OR MAY NOT APPEAR AND IS AT THE DISCRETION OF AMP.
6. DUST COVER, IF INCLUDED, IS SHIPPED NOT ASSEMBLED.



NO	552032-1
DUST COVER	PART NUMBER

THIS DRAWING IS A CONTROLLED DOCUMENT.		DWN DL DRUMMOND 01JUN01	 TE Connectivity PLUG ASSEMBLY, 50 POSITION, B-SLOT, BAIL LOCK, CHAMP-LOK			
DIMENSIONS: mm [INCHES]		CHK DL DRUMMOND 01JUN01				
TOLERANCES UNLESS OTHERWISE SPECIFIED:		APVD EW BEILES 01JUN01				
0 PLC ± - 1 PLC ± - 2 PLC ± - 3 PLC ± - 4 PLC ± - ANGLES ± -		NAME				
MATERIAL		PRODUCT SPEC	SIZE A2	CAGE CODE 00779	DRAWING NO C=552032	RESTRICTED TO
FINISH		APPLICATION SPEC	WEIGHT -	SCALE 2:1	SHEET 1 of 1	REV S1
		WEIGHT	CUSTOMER DRAWING			